



MEDICAL
karpazir
ACCESSORIES

2025

Karpazir Co. - Medical Engineering
Manufacturer of Medical Equipment

Karpazir Company, founded in 1997, holds valid quality certifications and international standards, as well as a science base certification from Iran. We play a key role in the production of medical and hospital equipment. With a focus on innovative design, we offer a diverse range of hospital products, including monitoring trolleys, emergency carts, medication transport trolleys, IV pole and stretchers.

Mission:

Our mission is to provide top-quality medical equipment crafted from premium materials, with unique and versatile designs that cater to the diverse needs of the healthcare industry.

Vision:

Our vision is to expand our product portfolio and increase our presence in international markets. Through continuous research and development, we are committed to achieving our goals and making a global impact in the medical equipment sector.

CERTIFICATE



Used for endoscopic and laparoscopic devices

- Compatible with all sizing configurations; adjustable shelf height (32 mm increments).
- Available with four shelf models: keyboard drawer, movable drawer, stable drawer, and fixed drawer.
- Three different wheel sizes available: 75 mm, 100 mm, and 125 mm.
- Three different shelf sizes: 400 mm, 500 mm, and 600 mm.
- Column made of aluminum.
- Available in 14 different electrostatic colors.
- Drawers and shelves are made of iron.



CTP 10

- Dimensions 40 * 40 cm
- Floors made of die-cast aluminum
- Column made of extruded aluminum
- Ability to adjust the height
- Size of wheels 125 mm
- Protective guard if it needed
- 14 different colors
- Electrostatic color coating
- Inside the column is a place to hide the device cables
- Output inside the column
- Bearing weight up to 120 kg
- Used for endoscopic and laparoscopic devices



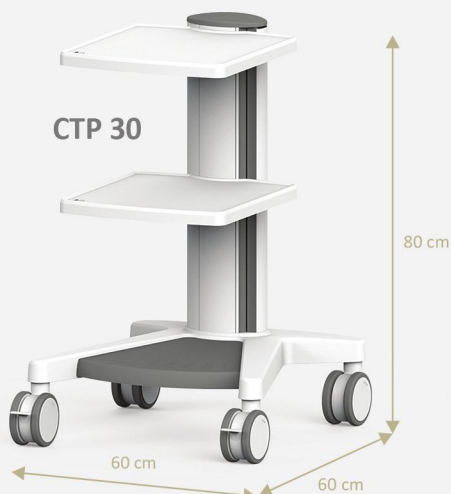
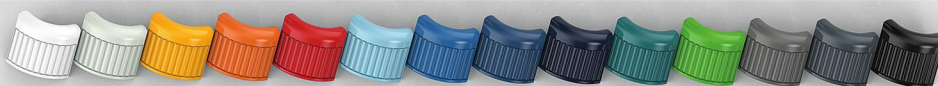
CTW

- Dimension 52 * 37 cm
- Columns are made of extruded aluminum
- Ability to adjust height
- Wheels size 125 mm
- Protective guard if it needed by the customer
- 14 different colors
- Electrostatic color cover
- Used for endoscopy and laparoscopy
- Weight tolerance up to 100 kg
- Ability to connect gel and arm

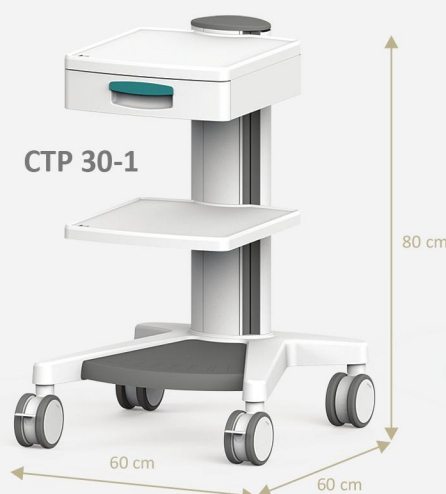


CTR 34

- Two extra column
- Size 47*(50~60) cm
- Handel made of diecast aluminum
- Column made of extrusion aluminum
- Ability to adjust height
- Twin wheels size 125 mm
- Protective guard if need
- 14 different colors
- 4 power column for heavy devices
- Electrostatic color cover
- Weight tolerance up to 120 kg
- Used for endoscope and laproscop



CTP 30



CTP 30-1



CTP 20

- size 47*(50~60)
- Handel made of diecast aluminum
- column made of extrusion aluminum
- ability to adjust height
- twin wheels size 125

- protective guard if it need
- 14 different colors
- 4 powers column for heavy devices
- Electrostatic color cover

- weight tolerance to 160 kg
- used for endoscope and laproscop
- ability connectivity place to gel and arm



CTR 32



CTR 30



CTR 33



CTR 60



CTR 31



CTR 35



HL 103



HL 102



HL 101



HL 100



HC 100



HC 101



HC 102

Different Types of Trolley

- Available sizes: 47 x 40 cm, 50 x 40 cm, 60 x 40 cm
- Handle made of die-cast aluminum
- Column made of extruded aluminum
- Twin wheel sizes available: 75 mm, 100 mm, 125 mm
- Protective guard available if needed
- 14 different color options
- Electrostatic color coating
- Weight tolerance up to 50 kg
- Connectivity features for gel and arm attachment



CTR 20



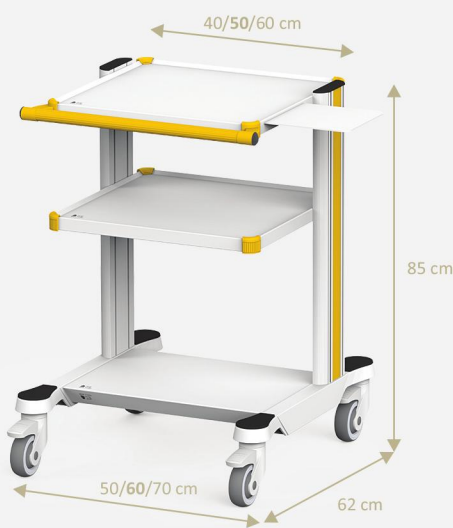
CTR 21



CTR 22



CTR 23



CTR 24



CTR 25



CTR 26



CTR 28

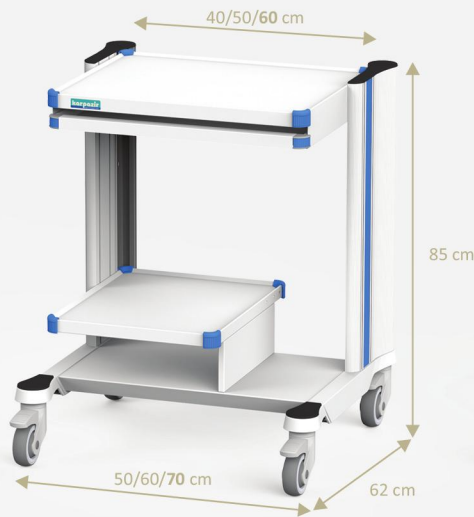


CTR 43

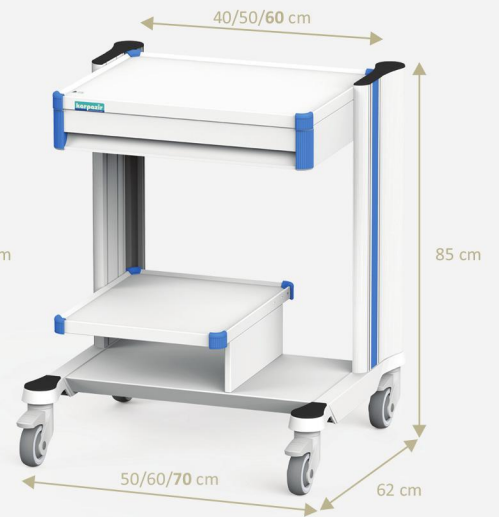
Different Types of Trolley



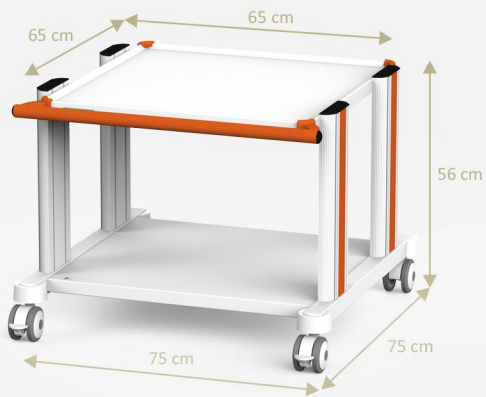
CTR 27



CTR 27-1



CTR 27-2



CTR 41



CTR 42



CTR 50



UTO 10



UTO 20



UTO 30

EMERGENCY TROLLEY



EMA 102

- Columns are made of extruded aluminum
- Wheels size 100/125 mm
- Dividers inside each drawers
- Washable drawers
- 10 different colors
- Drawers made of ABS



EMA B-102



EMS 701

- Handles are made of ABS material
- Column made of steel (1.5 mm)
- Wheels size 125*304 steel (1mm)
- Anti shock
- Drawers are made of ABS material
- Washable drawers
- Divider inside drawers
- 10 different colors



EMS B-701

EMERGENCY TROLLY



Rear view of the trolley



EMA 101

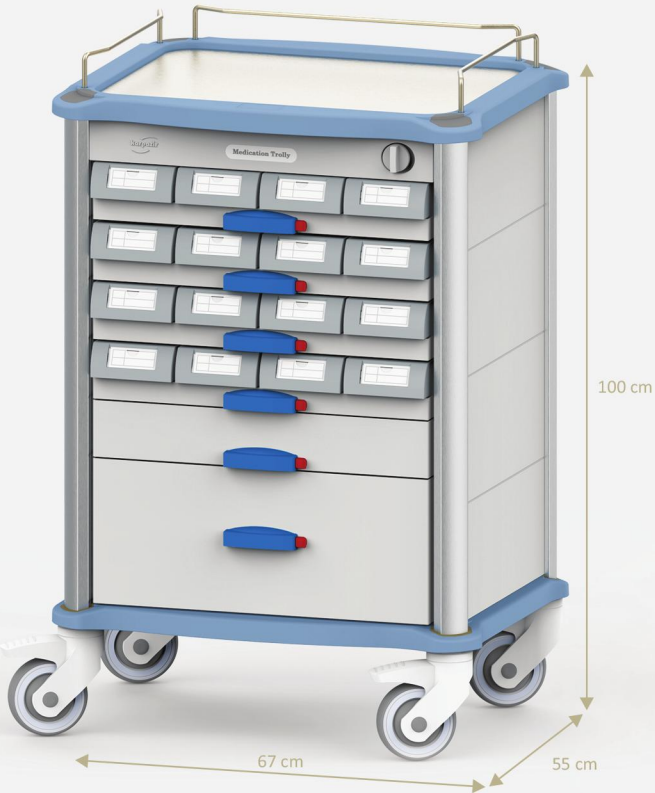


EMA 104



EMA 103

EMERGENCY TROLLY



MET201

Double-sided drawers

- Columns are made of extruded aluminum
- Wheels size 125
- Dividers inside each drawers
- Washable drawers
- 32 drawers
- 10 different colors



EMA105

Columns are made of extruded aluminum

- Wheels size 125
- Divider inside drawers
- Washable drawers
- 10 different colors
- Drawers are made of ABS



**Medical Records Folders Trolley
MRT301**



**Medical Records Folders Trolley
MRT302**

EMERGENCY TROLLY



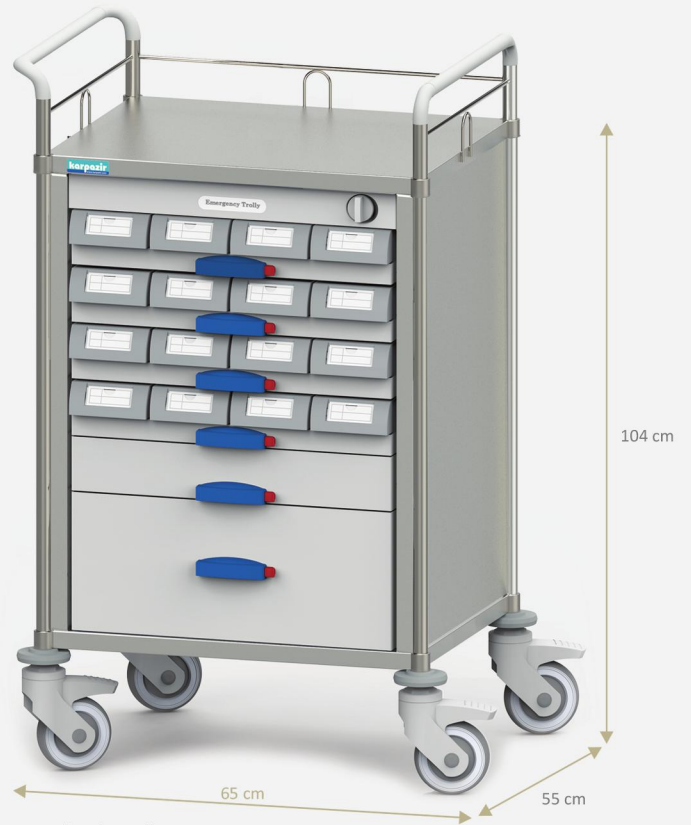
- Columns are made of extruded aluminum
- Wheels size 125
- Divider inside drawers
- Washable drawers
- 10 different colors
- Drawers made of ABS





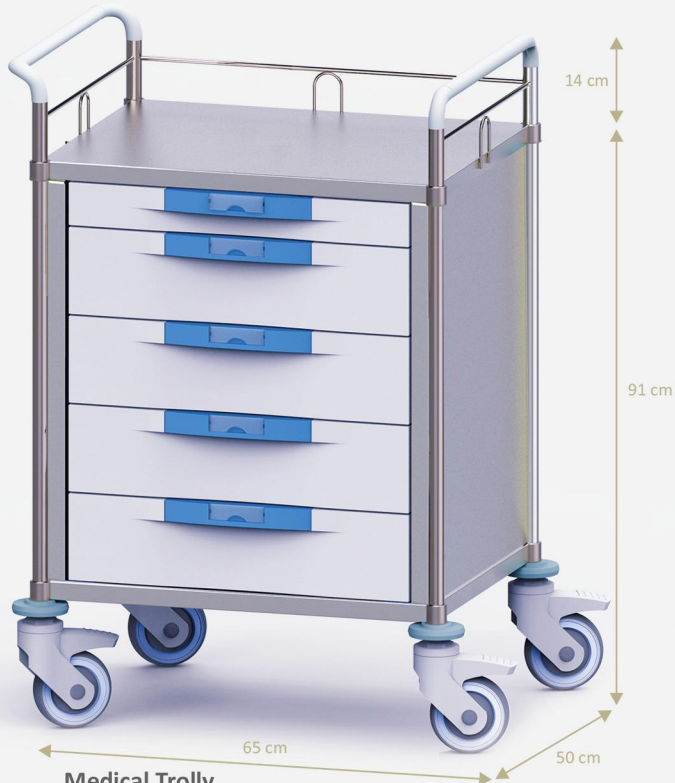
Emergency Trolley
EMS701

- Handles are made of ABS
- Column made of steel (1.5 mm)
- Wheels size 125
- 304 steel (1mm)
- Anti shock
- Drawers made of ABS
- Washable drawers
- Divider inside drawers
- 10 different colors



Medical Trolley
EMS703

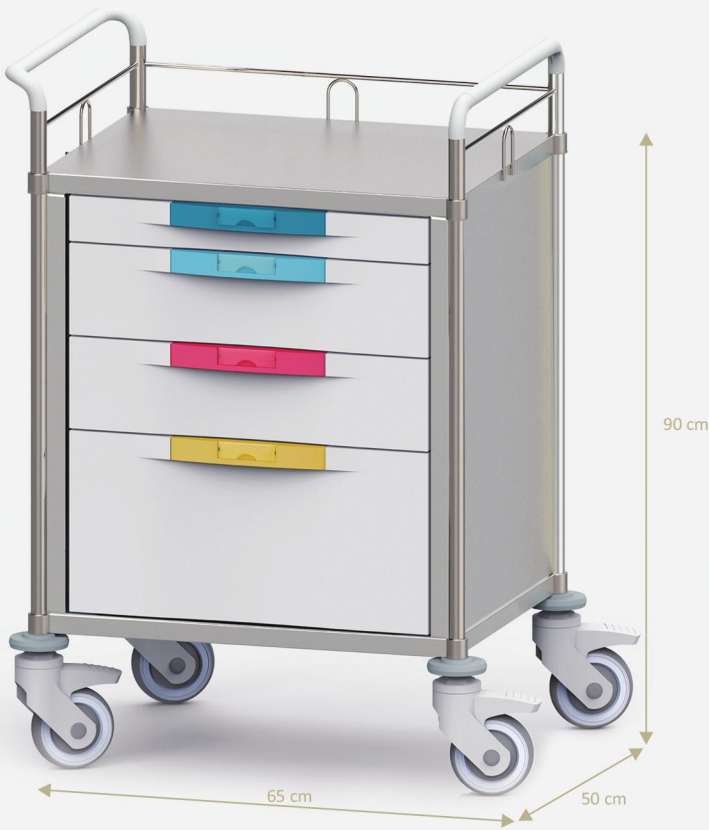
- Double-sided drawers
- Body is made of steel
- Dividers inside each drawer
- Washable drawers
- 32 drawers
- Wheel size 125



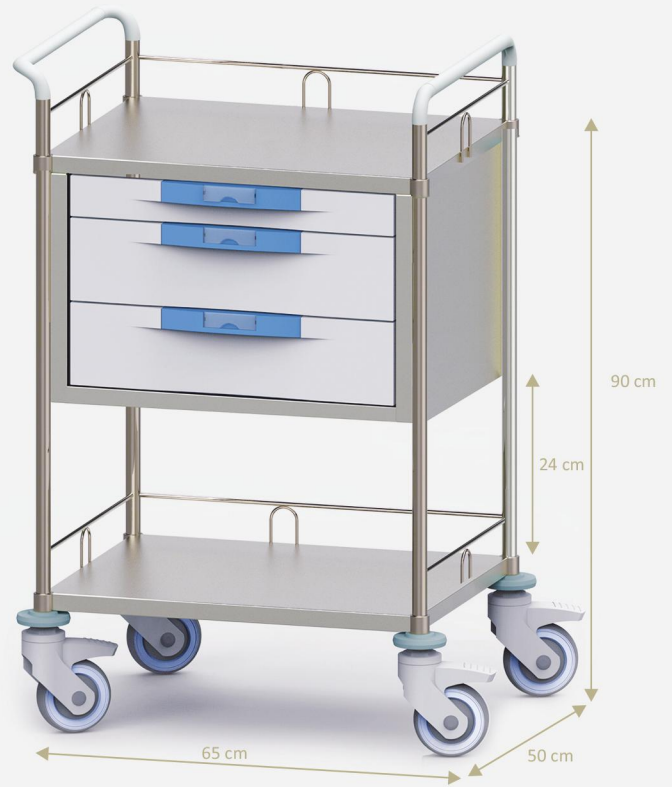
Medical Trolley
EMS805



Medical Trolley
EMS806

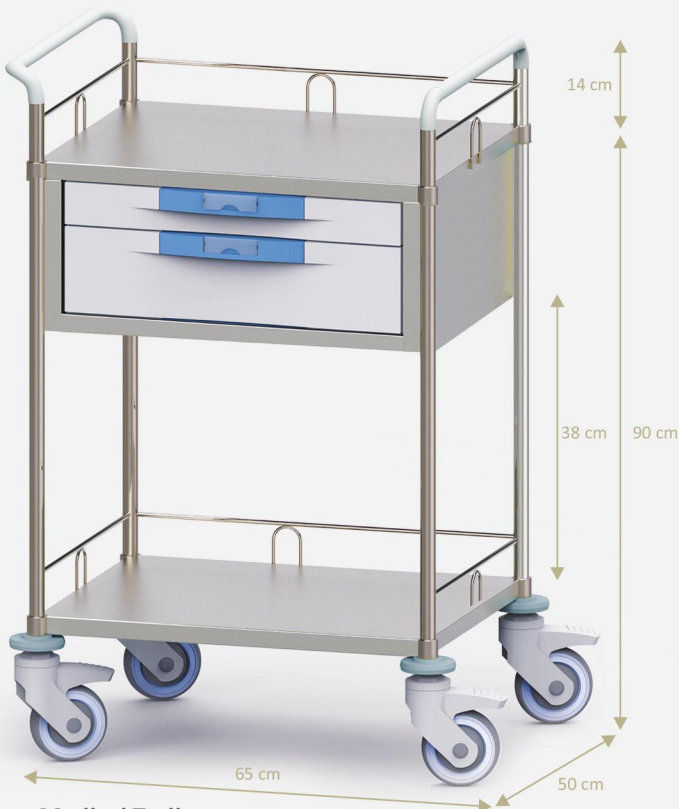


**Medical Trolley
EMS801**

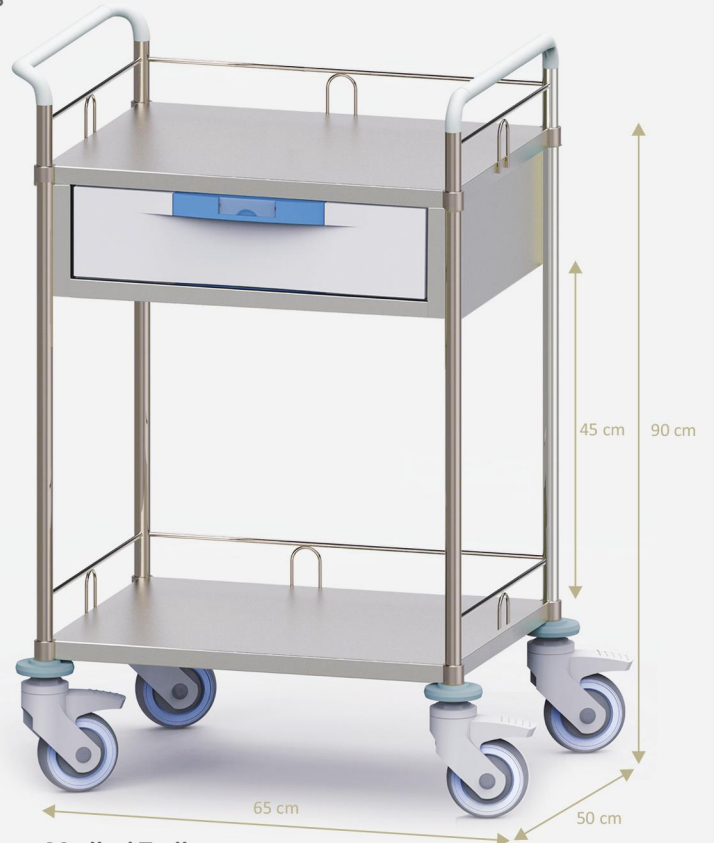


**Medical Trolley
EMS802**

- Handles made of polycarbonate
- Column made of steel (1.5 mm)
- Wheels size 125
- 304 steel (1mm)
- Anti shock
- Drawers made of ABS
- Washable drawers
- Divider inside drawers
- 10 different colors



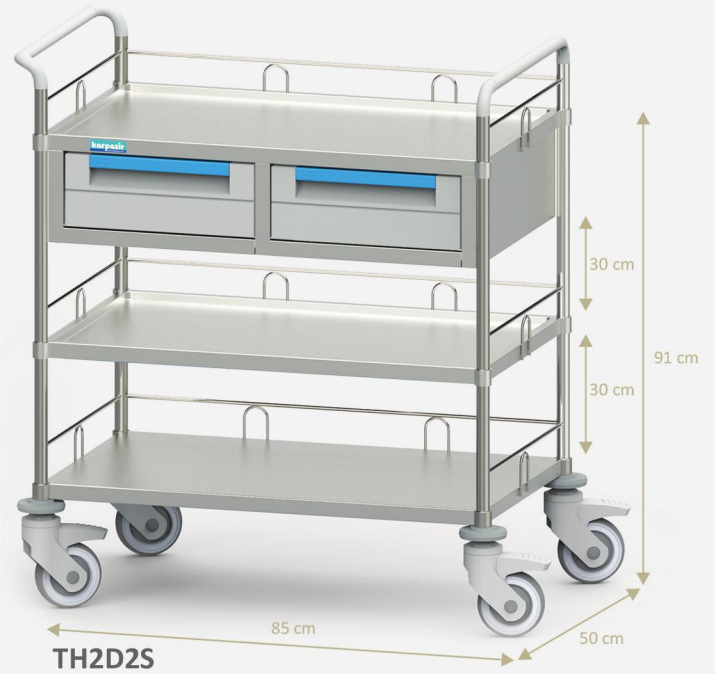
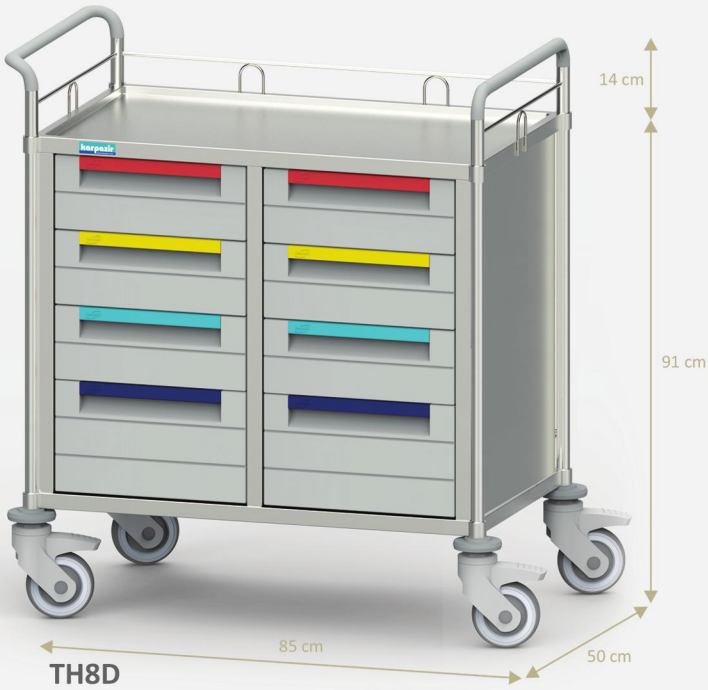
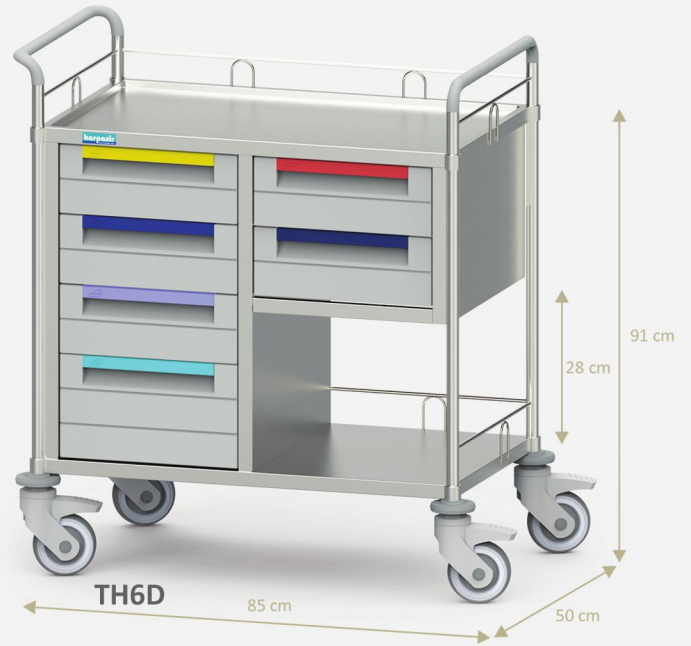
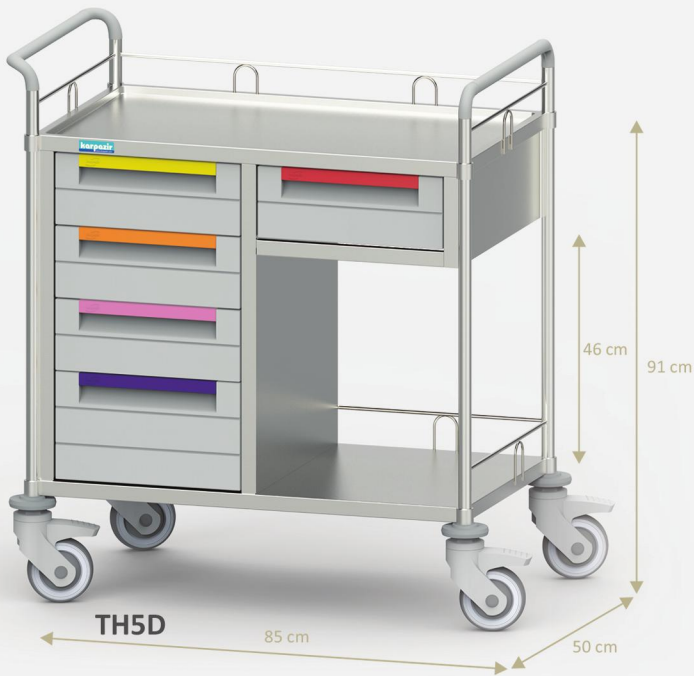
**Medical Trolley
EMS803**



**Medical Trolley
EMS804**

Medication Cart

All stainless steel 304 (1 mm) construction and drawer ABS



- Handles made of polycarbonate
- Column made of steel (1.5 mm)
- Wheels size 125
- 304 steel (1mm)
- Anti shock
- Drawers made of ABS
- Washable drawers
- Divider inside drawers
- 10 different colors

Available in 10 ABS Colors



Dressing And Medical Cart

All stainless steel 304 (1 mm) construction and drawer ABS



TH2DC2R



THA5D4RB



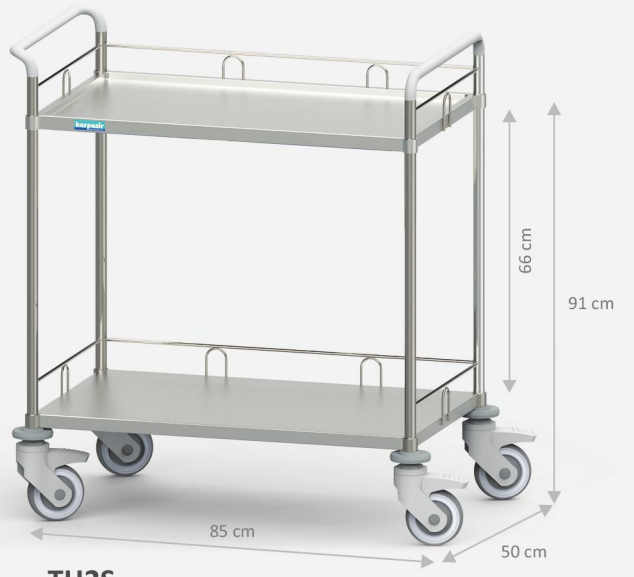
TH2D



TH3S



TH4S



TH2S

Dressing cart

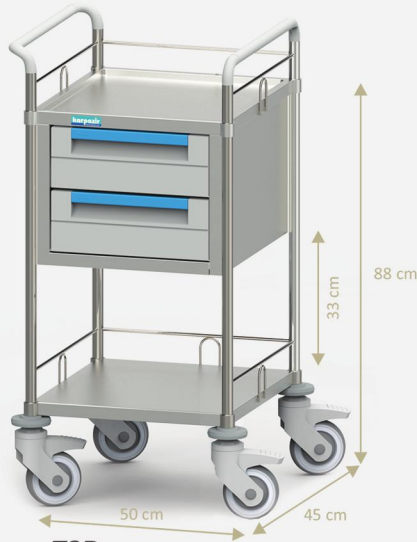
All stainless steel 304 construction

- Medicine trolley
- 3 medium size drawers and one large size drawer
- Anti shock

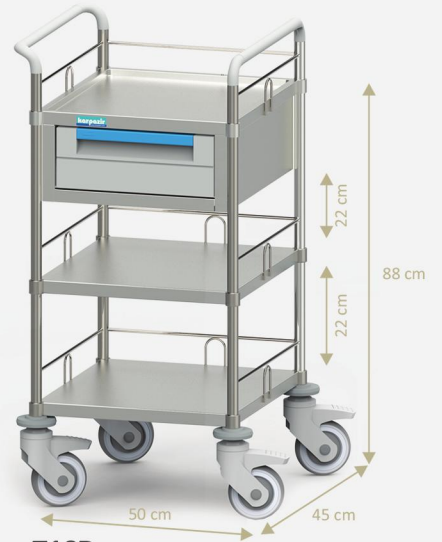
- Drawers made of ABS
- Washable drawers
- Divider inside drawers



T1D



T2D



T1SD



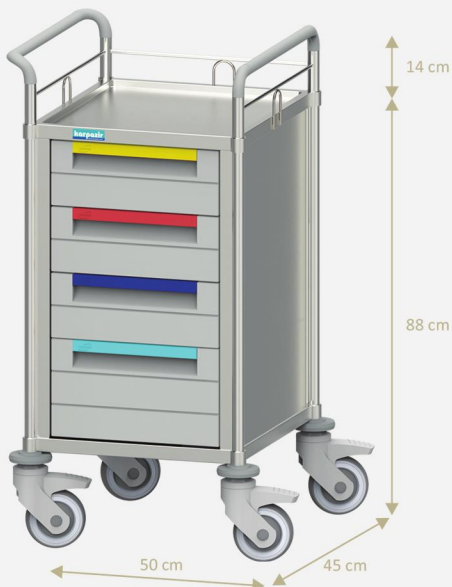
T1S



T2S



T3S



T4D



Hamper Cart

- Trolley bin (clean and dirty clothes)
- Handle made of polycarbonate
- Column made of steel (1.5 mm)
- Wheels size 125
- Protective guard
- 304 steel (1mm)

Monitor Stand



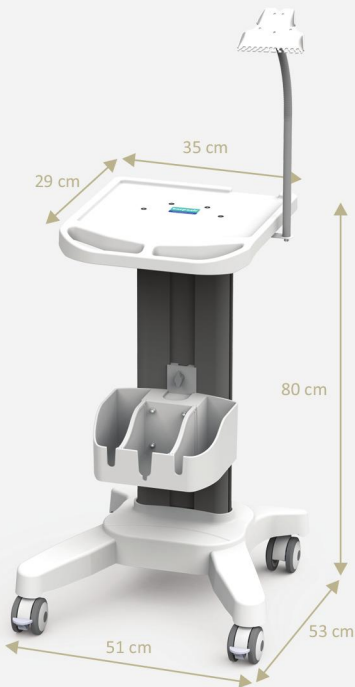
RT 10



RT 40



RT 70



RT 110

- Column is made of extruded aluminum
- Suitable for ECG and laptop
- Inside size 35*29 cm
- Basket made is of ABS
- Divider inside drawers
- Ability to adjust basket height
- ECG cables holder
- Twin wheels size 75
- Two wheels have brake
- Electro static color cover column



RT 30

- Changing monitor about 30 degrees
- Ability changing monitor screen easily and with a pin
- Monitor screen is design and built to your order
- Has a basket
- Has a handle for comfortable moving
- Twin wheels size 75
- Column made of aluminum



RT 60-1



RT 80



RT 60



RT 120

Monitor Stand



RT50-1

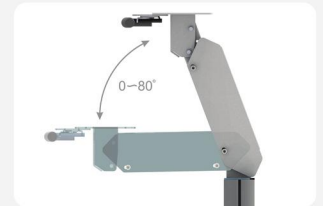


RT50-2

- The column is made of extruded aluminum
- The size of the wheels are 75 mm
- Possible to add a basket
- Ability change size for different monitor
- Use for ECG and sonography



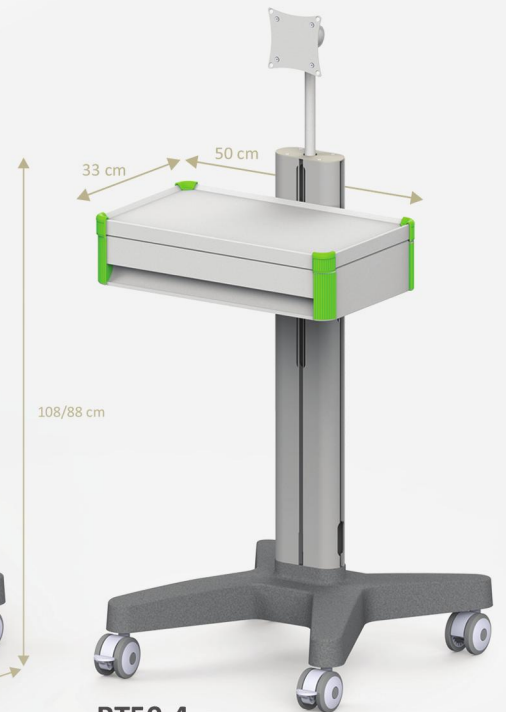
RT50-A



RT50-3



RT50



RT50-4

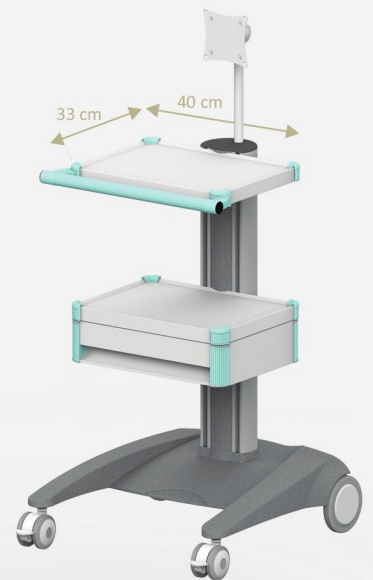
Monitor Stand



RT100-2



RT100-4



RT100-3

- The column is made of extruded aluminum
- The size of the front wheels is 75 mm and the size of the rear wheels is 125
- Possible to add a basket
- Ability change size for different monitor
- Electrostatic color coverz



RT100

101/80 cm



RT100-6



RT140

83 cm

Wall Mounted LCD Monitor Arm Series

- Left and right rotation
- Bracket horizontal / vertical
- Multi use monitor arm
- Workable for monitor attachment



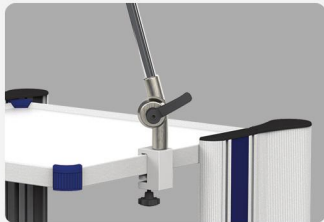
WM 10



WM 20



WB 30



Jointed Arm

Joint arm to arrange hoses and cables
 easy use
 Excellent quality material and design

BA 20

BA 10

BA 30

BA 40



Wall mural serum pump stand



WPL 20-2

WPL 20-1

WPM 10-2

WPM 10-1

Portable serum pump holder



TPS 10



TPS 20



TPS 30



TPS 40



TPS 50



TPS 60



TPS 70



TPS 80

Hydraulic stretcher for endoscopy

- Variable height on 2 columns
- Artificial leather mattress platform
- With trendelenburg and reverse trendelenburg
- Hydraulic control pedals on both sides
- Safe working load 240 kg
- 4 section bed
- 4 and 5 wheels

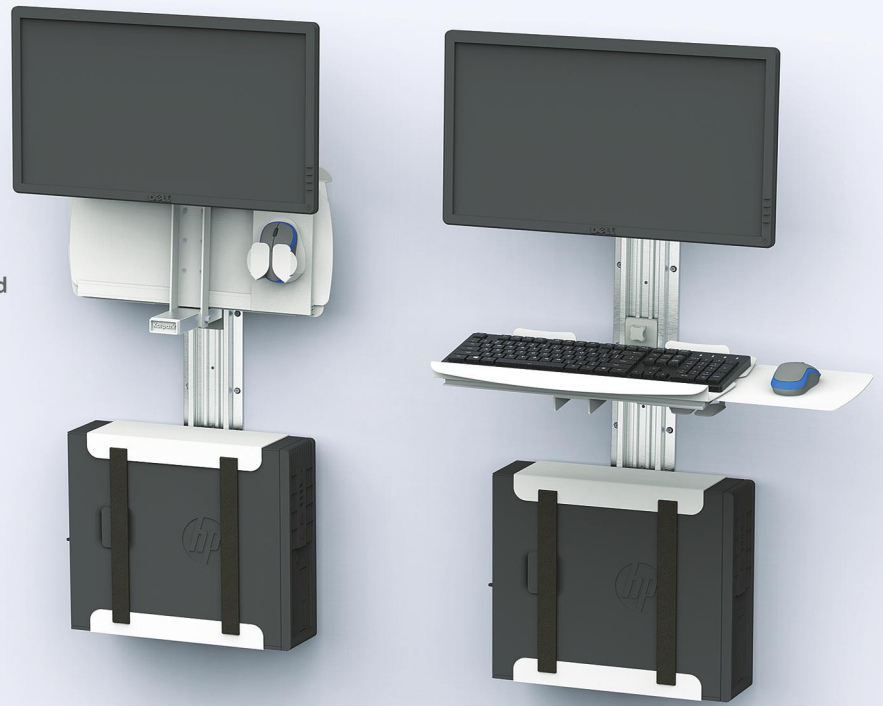


Coming Soon ▶

WPC1

Features keyboard holder

- They can accommodate keyboards of different sizes and permit ergonomic and user-friendly operation
- The mousepad slides out on both sides
- The powder-coated surface is easy to clean and is resistant to cleaning agents and disinfectants
- Comfortable accommodation of mouse Saves place while keeping mouse secure
- The case holder is designed according to your needs
- The monitor stand and the mouse holder are removable on the rail



Folding screen

- Folding screen for wall-mounting and mobile
- Can be folded together to save space
- leaf material made of polycarbonate
- Extremely impact resistant
- Frame : Aluminum
- Care: Available cleaning product



History

Karpazir is a medical equipment manufacturer based in Tehran, the capital of Iran, with over 33 years of experience. The company primarily produces new hospital designs and healthcare products, including medical trolleys, ECG trolleys, endoscopic trolleys, emergency trolleys, stretchers, folding screens, jointed arm dressing carts, medical record trolleys, monitor stands, pump stands, and hamper carts. Karpazir is an integrated corporation focused on designing, research and development (R&D), manufacturing, marketing, and providing services. The company is also dedicated to developing new products in its field.



-  Add: No 13 - Sarv St.13 - Nasirabad industrial town. Tehran
-  www.karpazir.com
-  [karpazirco](https://www.instagram.com/karpazirco)
-  t.me/karpazir
-  Factory: +98(21)53408 +98(21) 56 39 4003 ◀ 10 Line
-  Commercial: +989124906770

